

HISTORY:

Business Accessories has been supplying Desk Accessories, Visual Boards and Tables to the contract furniture industry for over forty years. In 2002, Business Accessories was purchased by Manfred Koch, a recognized international designer in Europe and the United States. The manufacturing facility is now located in the new Tri-County Business Park, Chaffee, NY.

Since 2010, Business Accessories became a Women Owned Business under the direction of Alejandra Koch.

MISSION:

Business Accessories will maintain a commitment to quality and will preserve a tradition of hand crafted excellence using only premium materials.

GOAL:

To offer an Innovative line of Desk & Office Accessories, Building Accessories, Visual Aids, Tables and Chairs that provide a balance of Design, Function, Value and Quality.

BUSINESS ACCESSORIES LLC
13700 Tri-County Business Park
Chaffee, NY 14030

1-585-492-2685
FAX: 1-585-492-2731
WEB: www.bizacllc.com



LAMINATED TABLES



c a t a l o g

- Configuration Tables
- Meeting Tables
- Team Tables
- Hospitality Tables



The **Lineal Series** offers a full spectrum of colors available in a quality high-pressure laminate.

Our Straight-Leg, X-Base and T-Bases are constructed of heavy gauge tubular steel with concealed welds to ensure base rigidity while providing clean, precision-finished joints.

Available with 3mm PVC or 1/8" solid wood edge trim.

Bases are finished in satin black powder-coat as standard finish.

Appropriate for meeting rooms, training rooms and cafeteria applications.



Standard Shapes and Sizes:

TRAPEZOID

- 24" x 24" x 60"
- 30" x 30" x 60"



RECTANGULAR

- | | |
|-----------|-----------|
| 24" x 30" | 30" x 36" |
| 24" x 36" | 30" x 48" |
| 24" x 48" | 30" x 60" |
| 24" x 60" | 30" x 72" |
| 24" x 72" | |



SQUARE

- 24" x 24"



TRIANGLE

- 24" x 24" x 36"
- 18" x 18" x 18"
- 30" x 30" x 30"



Call your **B@** rep. for details!
1 800 527-6848



External 3mm PVC Edge



External Wood Edge



X-Base (2") Leg



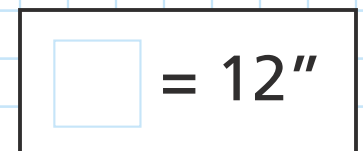
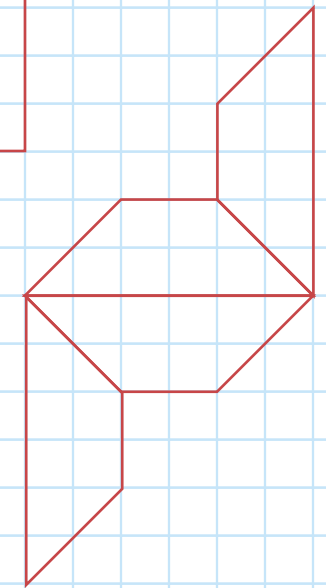
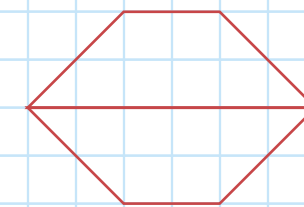
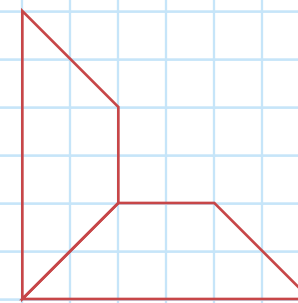
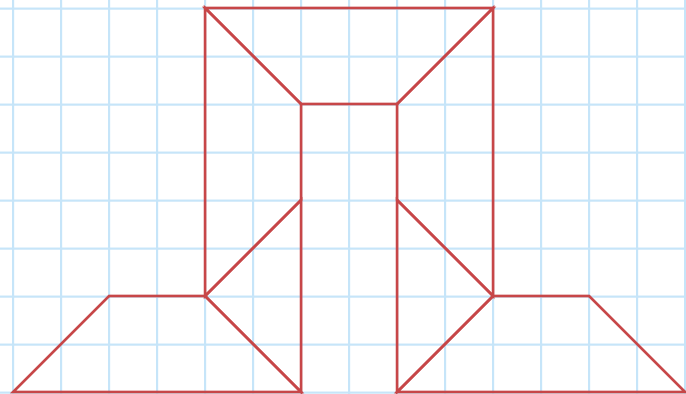
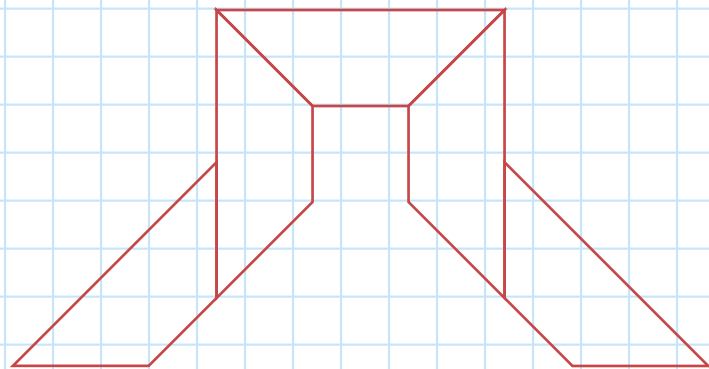
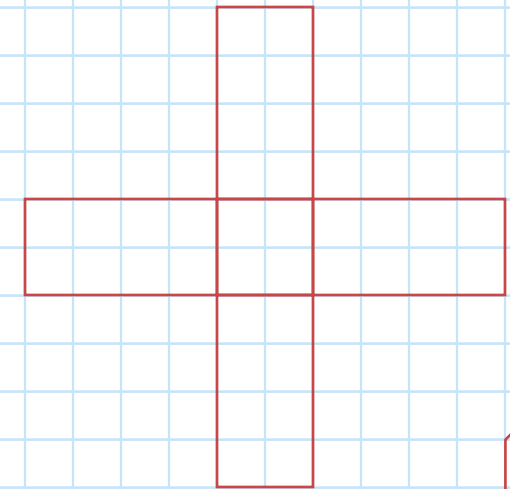
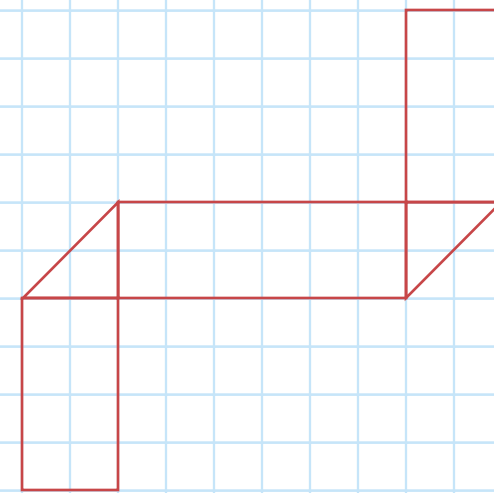
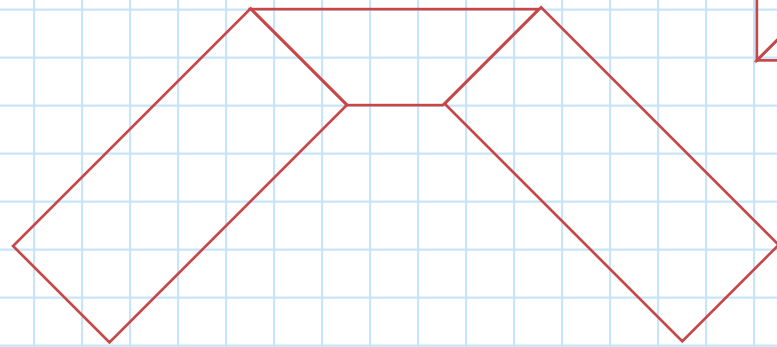
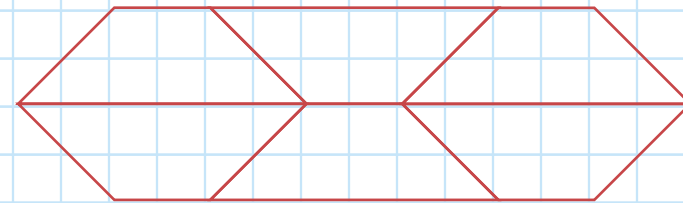
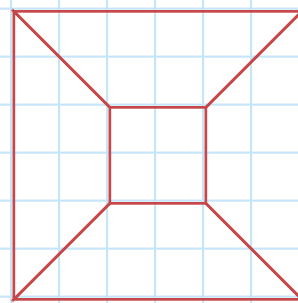
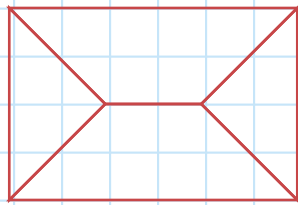
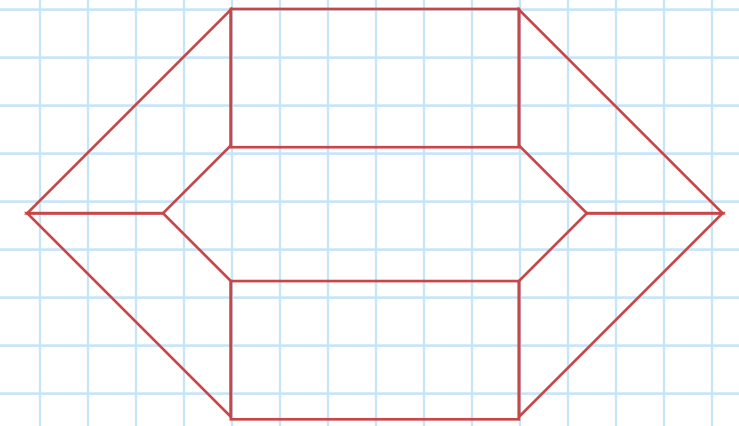
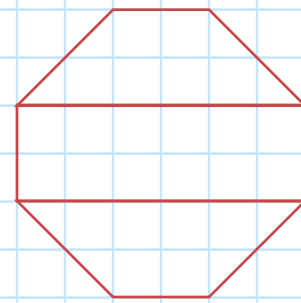
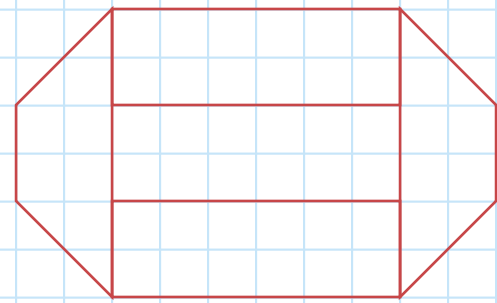
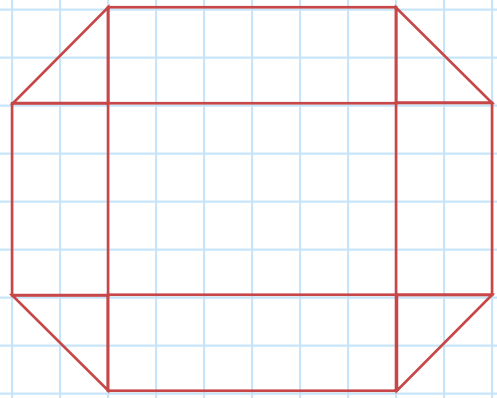
T-Base Leg



2" Straight Leg
(available with caster)



LINEAR: EXPLORE THE POSSIBILITIES





The Sequence Series

"There are times when one needs to sequence"...

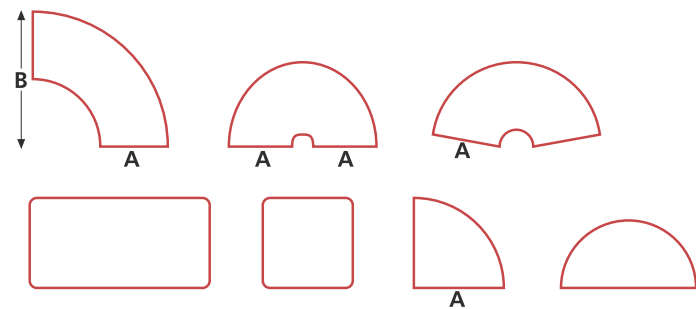
The Sequence Series offers a full spectrum of colors available in a quality high-pressure laminate.

Corners have a 1" radius T-Mold edge treatment.

Tables are supported by your choice of T-Base or 2" diameter Straight Legs constructed of heavy gauge tubular steel with concealed welds to ensure base rigidity while providing clean, precision-finished joints.

Bases are finished in satin black powder-coat as standard treatment.

Appropriate for hospitality, training and meeting room applications.



Standard Shapes and Sizes:

HALF CIRCLE 24" 48"	HALF CIRCLE w. Cutout 26" 52"	RECTANGULAR 24" x 30" 30" x 36" 24" x 36" 30" x 48" 24" x 48" 30" x 60" 24" x 60" 30" x 72" 24" x 72"
SQUARE 24" x 24" 30" x 30"	QUARTER CIRCLE 24" 30"	
CRESCENT A = 24", B = 48" A = 30", B = 60"	HALF CIRCLE w. Angle for V-Shape 24" (joining edges) x 52" d	



T-Mold Edge



1" Radius Corners



T-Base Leg

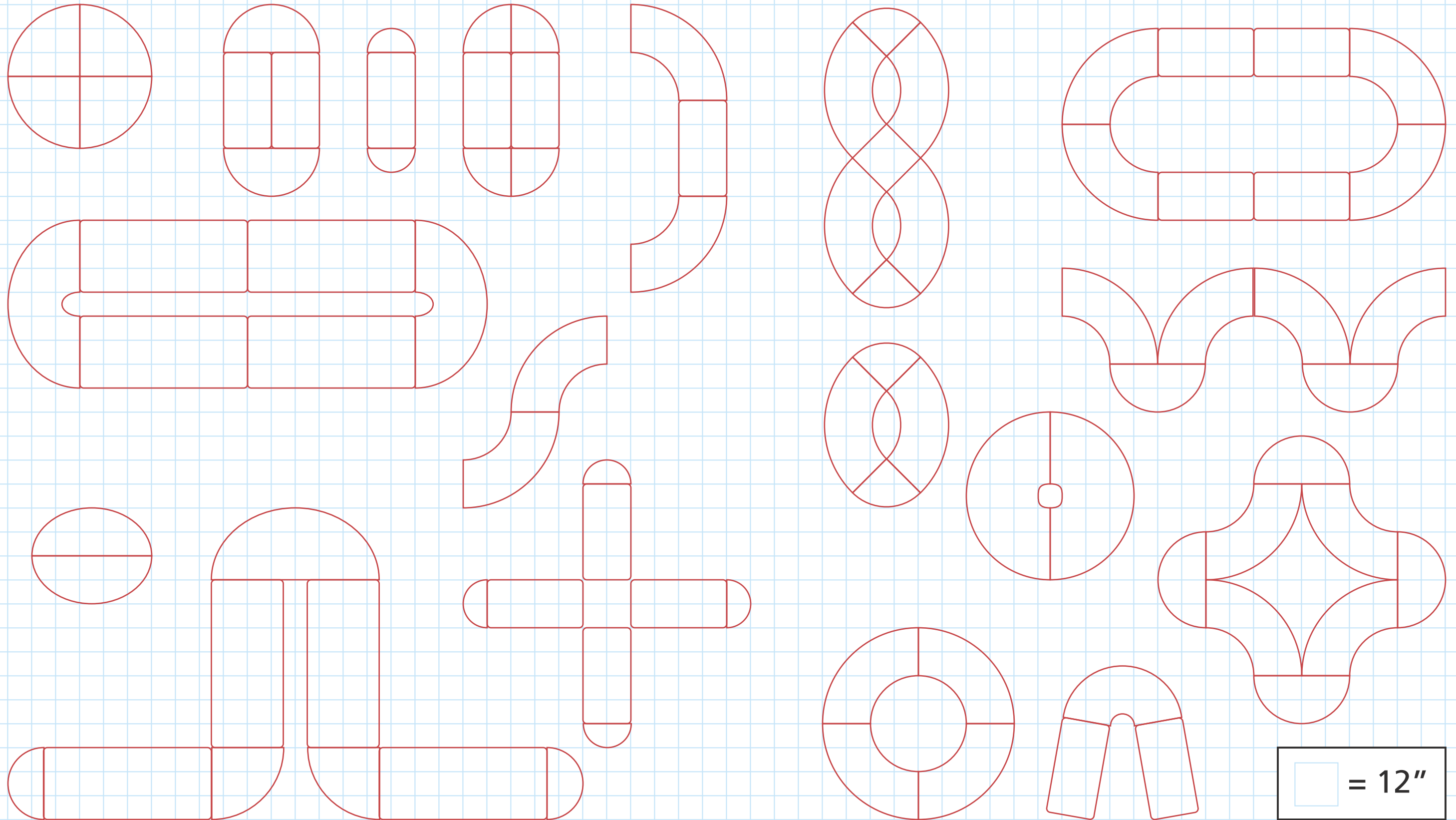


2" Straight Leg (available with caster)

tables



SEQUENCE: EXPLORE THE POSSIBILITIES





The Hospitality, Meeting and Conference Series

Offers a full spectrum of colors available in a quality high-pressure laminate. The edges are finished in 3mm PVC, Solid Wood or T-Mold.

Tables are supported by X-Base, T-Base or Straight Legs constructed of heavy gauge tubular steel with concealed welds to ensure base rigidity while providing clean, precision-finished joints.

Bases available in satin black powder-coat as standard treatment. Straight Legs are available in 2", 3" and 4" diameter.

Appropriate for hospitality, training, meeting and conference room applications.



Standard Shapes and Sizes:

ROUND	24"	30"	36"	42"	48"	
SQUARE	18" x 18"	24" x 24"	30" x 30"	36" x 36"	42" x 42"	48" x 48"
RECTANGULAR	18" x 24"	24" x 30"	30" x 36"	36" x 48"	42" x 60"	48" x 60"
	18" x 30"	24" x 36"	30" x 48"	36" x 60"	42" x 72"	48" x 72"
	18" x 36"	24" x 48"	30" x 60"	36" x 72"	42" x 60"	48" x 96"
	18" x 48"	24" x 60"	30" x 72"	36" x 96"	42" x 96"	48" x 120"
	18" x 60"	24" x 72"	30" x 96"	36" x 120"	42" x 120"	48" x 144"
	18" x 72"	24" x 96"	30" x 120"		42" x 144"	
	18" x 96"	24" x 120"				
	18" x 120"					

NOTE: On surfaces over 72" additional table base support may be required.



T-Mold Edge



External 3mm PVC Edge



External Wood Edge



2" Straight Leg (optional caster)



Folding Options

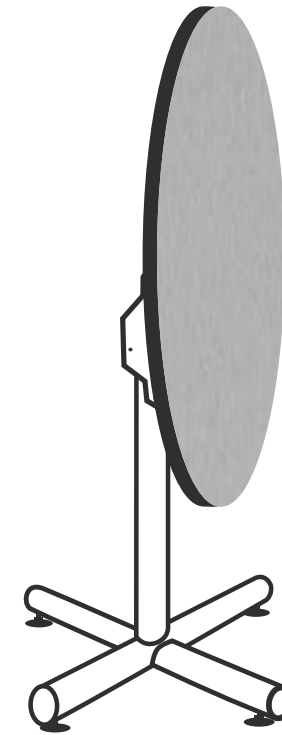
The folding mechanism offers convenience and versatility.

Fold down table top to easily pass through a doorway. Or, fold Straight Legs or T-Base Legs for compact storage.

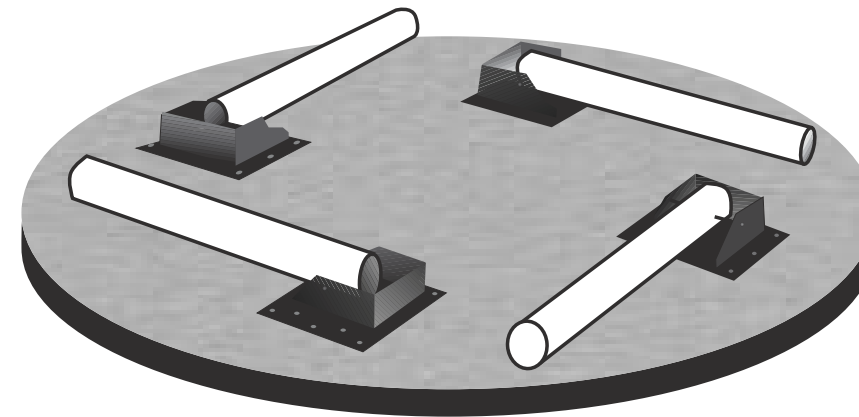
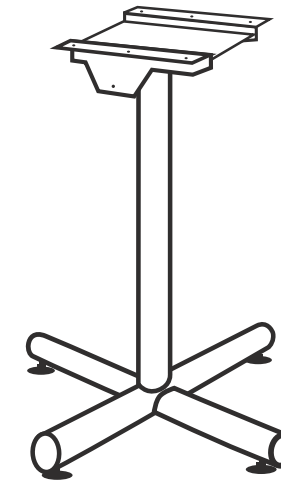
Standard durable black powder-coat finish or optional polished chrome or nickel finish.



FOLDING MECHANISM



Used as a Flip-top mechanism, the table top can be folded to fit through tight areas. Casters attached to the legs offer added portability!



Used as a Fold-down mechanism, the table legs can be folded away for compact storage!

Call your **B@** rep. for details!
1 800 527-6848



T-Base (2") Leg



X-Base (2") Leg



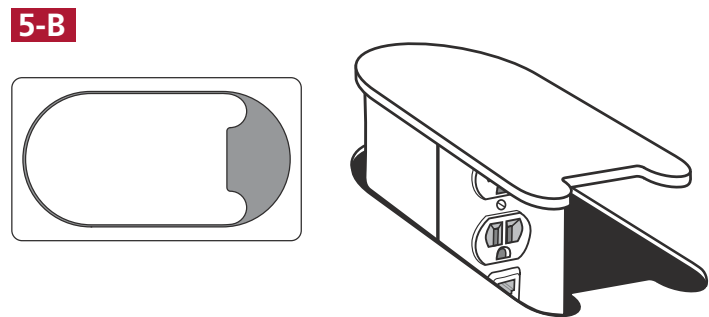
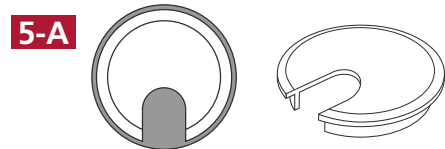
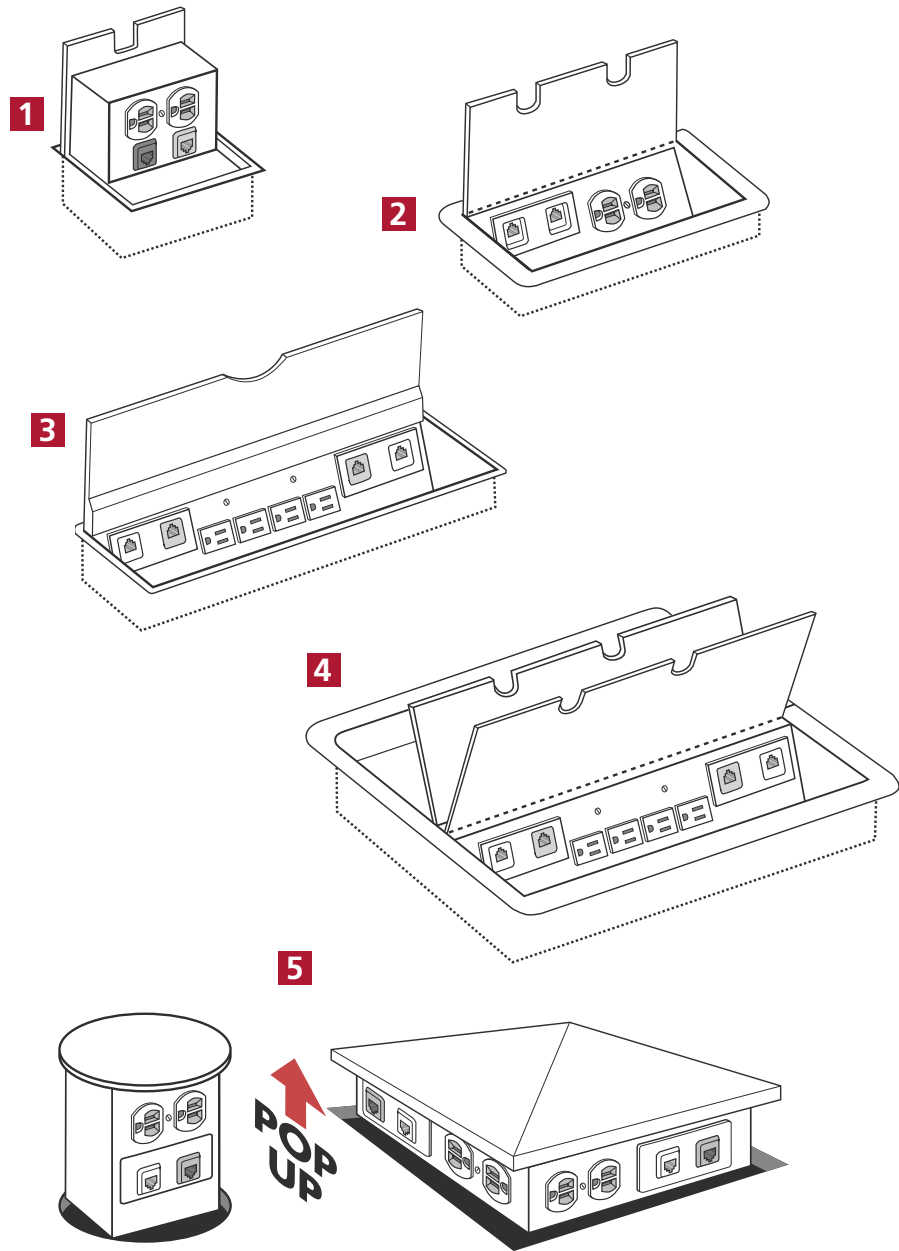
2" Straight Leg (optional caster)



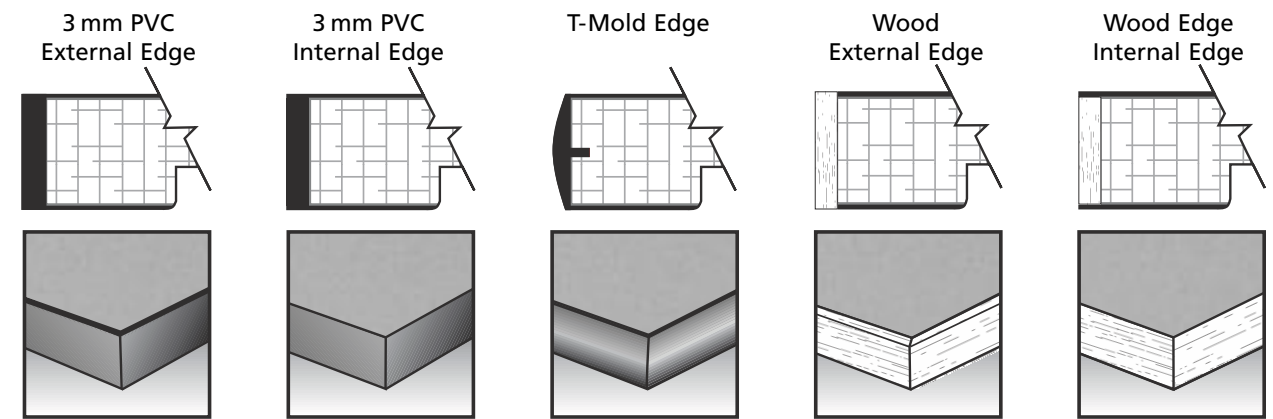
POWER & DATA PORTS & GROMMETS

Power/Data Ports:

- 1** BLACK Flip-up unit contains two 15 amp receptacles, one RJ-11 VOICE and one RJ-45 DATA port.
- 2** Unit has a 6' plug cord set. BLACK Recessed unit with cover plate contains two 15 amp receptacles, one RJ-11 voice and one RJ-45 data port. Unit has a 6' plug cord set.
- 3** BLACK Recessed unit with cover plate contains four 15 amp receptacles, two RJ-11 voice and two RJ-45 data port. Unit has a 6' plug cord set.
- 4** BLACK Recessed unit with cover plate contains eight 15 amp receptacles, four RJ-11 voice and four RJ-45 data ports. Unit has a 6' plug cord set.
- 5** Pop-ups with metal or table-matching plates.
- 5-A** 1⁹/₁₆" diameter Cable Grommets.
- 5-B** Grommet Kit allows the addition of a power and Data unit at a later date.
- 6** Wire Troughs attach to table underside to organize and conceal wires.

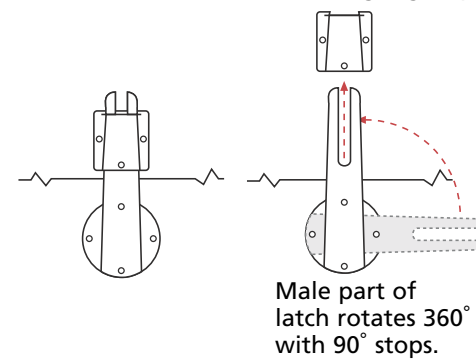


EDGE DETAIL OPTIONS

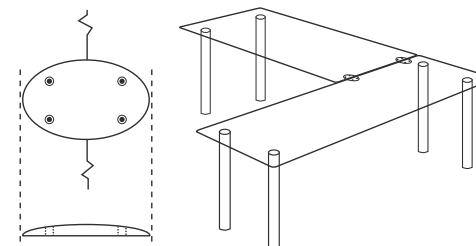


HARDWARE

Joining Swivel Latches
For joining free-standing tables or leaves. Quickly join two tables together with swivel click-locking latches. Hardware attaches to under-side and may eliminate the need for a leg/legs when joining small surfaces (Quarter/Half Circle etc.) to larger groupings.

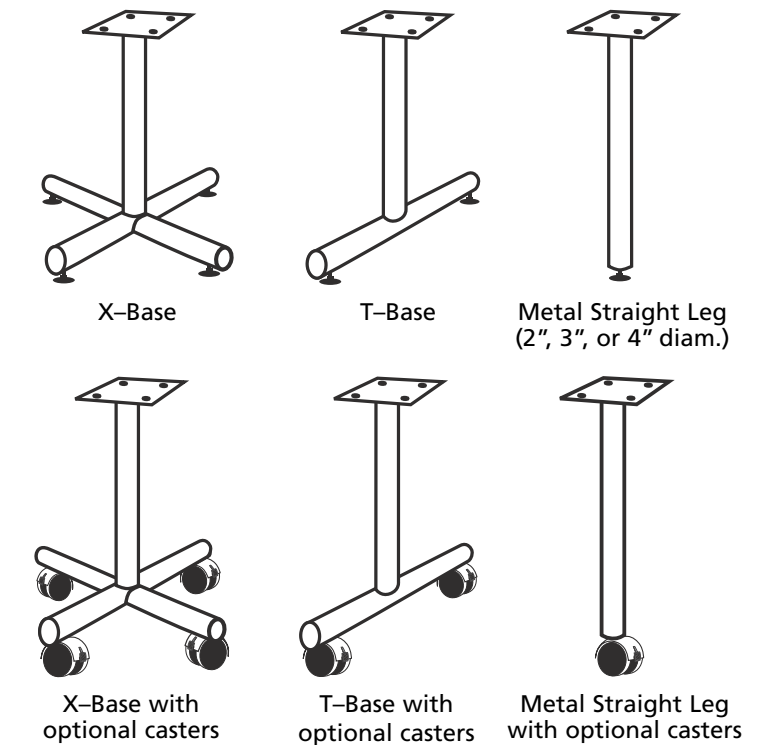


Joining Discs
For joining free-standing tables or leaves. Attach four screws to the underside to securely join two tables together.



Call your B@ rep. for details!
1 800 527-6848

BASE OPTIONS



Casters
Casters are 2" hooded and locking style.

